

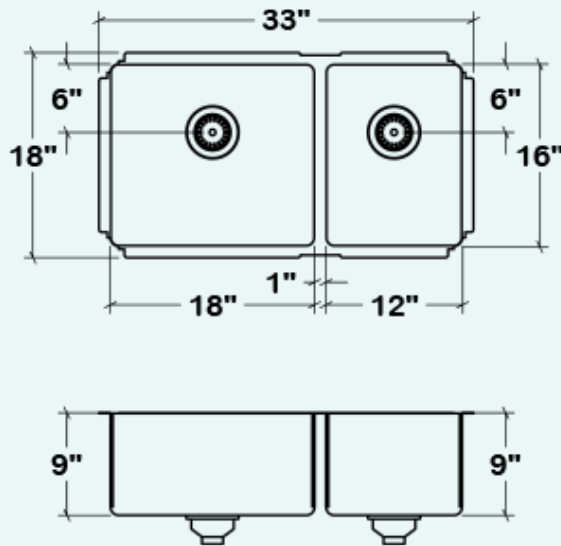
# PC-IH75-UR-33189

Prolinox H75

## Stainless steel kitchen sink

### Handcrafted

Contemporary style corners [0,75"]



#### Installation

Undermount

#### Bowl

18" x 16" x 9"

12" x 16" x 9"

#### Overall

33" x 18" x 9"

#### Recommended cabinet

36"

#### Drain

Ø 3 1/2"

#### Packaging

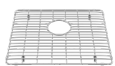
38 1/8" x 23 1/4" x 14 3/8"

35 lbs

## Features

- SET INCLUDES: Sink, stainless steel strainer (AA-SA-3.5-SA) and mounting hardware included, cutout template for overhang installation
- UNDERMOUNT INSTALLATION: Undermount sinks are usually installed underneath a solid piece of countertop material. This installation allows to easily wipe water and crumbs into sink without getting caught between the sink edge and the countertop. It also has the advantage to create a clean look.
- STAINLESS STEEL – 18 gauge
- STRONG: Corrosion resistant material - 304 series (18/10)
- QUIET: Sound deadening pads for maximum noise reduction
- SLIGHTLY ROUNDED RADIUS CORNERS give a contemporary style that is easy to clean
- DRAIN located towards rear providing more space under the sink
- LIFETIME LIMITED WARRANTY: Satisfaction guaranteed with customer service that cares
- Product certified ASME A112.19.3, CSA B45.0, and CSA B45.4
- PROUDLY DESIGNED IN NORTH AMERICA

## Must-have accessories



Grid  
IH-G-1816



Grid  
IH-G-1216



Colander  
IH-CA-16



Bin  
IH-BI-16



Wood cutting board  
IH-BA-16-MA



Plastic cutting board  
IH-BB-16-WH