

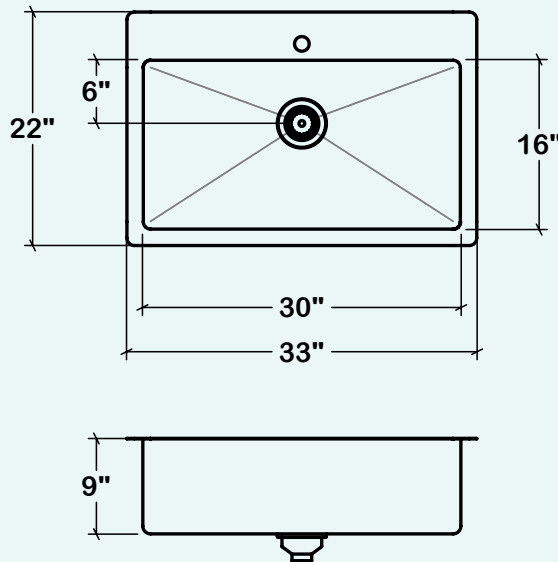
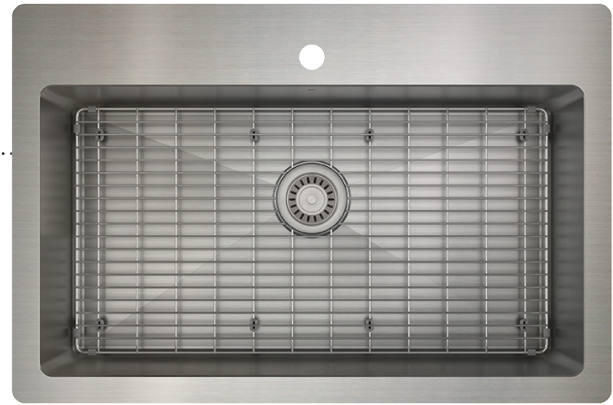
IH75-DS-33229-G

ProInox H75

Stainless steel kitchen sink

Handcrafted

Contemporary style corners [0,75"]



Installation

Dualmount

Bowl

30" x 16" x 9"

Overall

33" x 22" x 9"

Recommended cabinet

36"

Drain

Ø 3 1/2"

Packaging

39" x 32" x 18"

38 lbs

Features

- SET INCLUDES: Sink, bottom grid, stainless steel strainer (AA-SA-3.5-SA) and mounting hardware included, cutout template
- INSTALL sink as a drop-in or undermount
- SINGLE FAUCET HOLE (additional holes can be drilled at no charge)
- STAINLESS STEEL - 18 GAUGE
- STRONG: Corrosion resistant material - 304 series (18/10)
- QUIET: Sound deadening pads for maximum noise reduction.
- SLIGHTLY ROUNDED RADIUS CORNERS give a contemporary style that is easy to clean
- CROSS GROOVES: Stylish and functional bowl bottom grooves that facilitate water drainage
- DEEP BOWL: Convenient for washing pots and pans.
- DRAIN located towards rear providing more space under the sink
- LIFETIME LIMITED WARRANTY: Satisfaction guaranteed with customer service that cares
- Perfect replacement sink for home RENOVATION.
- Product certified ASME A112.19.3, CSA B45.0, and CSA B45.4
- PROUDLY DESIGNED IN NORTH AMERICA

Must-have accessories



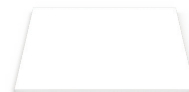
Colander
IH-CA-16



Bin
IH-BI-16



Wood cutting board
IH-BA-16-MA



Plastic cutting board
IH-BB-16-WH