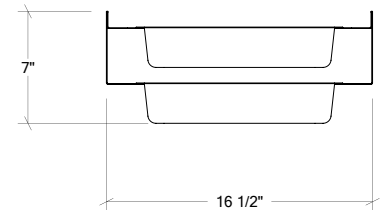
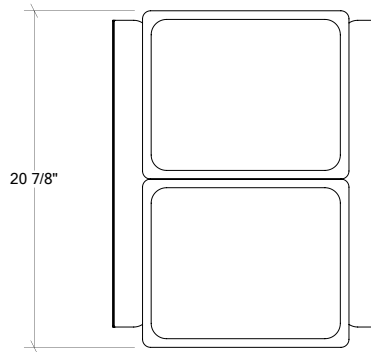


OUTDOOR KITCHEN CABINETS IN STAINLESS STEEL

HROK-ACC-805010

Storage Racking for stainless steel pans



Specifications

Width:	14 1/4"
Depth:	19"
Material:	Stainless steel
Finish:	Brushed
Packing dimensions:	17" x 23" x 8"

Features

- HOME REFINEMENTS kitchen accessories designed for specific outdoor kitchen modules
- Stainless Steel Container Storage System / Pans & Half-pans
- Includes 3 stainless steel containers (2 half-pans / 1 full pan)
- Possibility of installing 2 systems per cabinet, one above the other
- Easy installs on existing 1-door cabinets 18" wide
- Made by hand in Canada

Warranty

Home Refinements offers a 1-YEAR LIMITED WARRANTY following the purchase date for all mobile parts, options and accessories against defects of material and workmanship. This warranty is limited to defects or damages resulting from a normal residential use. For further details on our product warranty, please refer to our catalog or Web site.