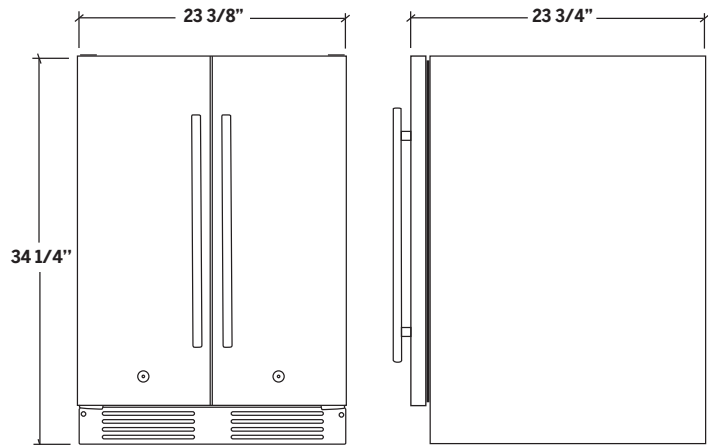


REFRIGERATION

HR-RUO-24-2

OUTDOOR REFRIGERATOR/CELLAR FOR UNDERCOUNTER INSTALLATION, DUAL ZONE, 24"



Details

Width X Height X Depth	24" X 34 1/4" X 23 3/4"
Packaging Width	23 3/8"
Packaging Height	36 3/4"
Packaging Depth	26 1/4"
Installation	Free Standing, Built-in
Cutout Width	23 3/4"
Cutout Height	34 1/2"
Cutout Depth	25 1/4"
Material	Stainless Steel 304
Finish	Brushed
Net Weight (lbs)	95 lbs
Configuration	Dual zone
Lock	Yes
Door Hinges Position	N/A
Capacity (cu.ft.)	5.23 cu.ft.
Capacity (L)	148 L
Interior Lighting	Blue LED lighting
Thermostat Type	Digital
Automatic Defrost	Yes
Refrigerant type	R600a
Refrigerant amount (oz)	0.78 oz
Shelf type	Birch Pull-out wine bottle shelves/Black Wire Shelf
Shelf Qty	6/3
Adjustable shelves	Yes
Interior finish	Black
Adjustable legs	2
Temperature	41-65 °F (5-18 °C)/34-50 °F (1-10 °C)
Energy Usage/Year (kWh/year)	175 kWh/year
Amps	1.5
Voltage/Frequency	120V 60Hz

Specifications

- Weather resistant refrigerator for outdoor use
- Free standing or built-in installation without clearance required
- Capacity of 25 wine bottles and 95 cans
- Fan assisted cooling system
- Two (2) zone temperature range
- Zone 1: Temperature range 41-65°F/5-18 °C
- Zone 2: Temperature range 34-50°F/1-10°C
- Indication of humidity
- Digital thermostat
- Automatic Defrost
- Interior Blue LED lighting
- Key lock to secure the contents of cabinets
- 3 wire shelves in the refrigeration zone
- 6 birch wood sliding shelves in the cellar zone
- Elegant brushed finish on all sides and ventilated toe-kick
- Superior corrosion resistance: Grade 304 stainless steel (18/10)
- Made in China
- Certificates: CSA Std. C22.2#60335-1 and 60335-2-24, ETL

Warranty

Home Refinements offers a 42 MONTHS (3.5 YEAR) warranty against any manufacturing or materials defect as well as on the cooling system (compressor and evaporator) for Home Refinements refrigeration products. This warranty is not transferable and is limited to defects or damages resulting from a normal residential use. For further details on our product warranty, please refer to our catalog, user guide or web site.