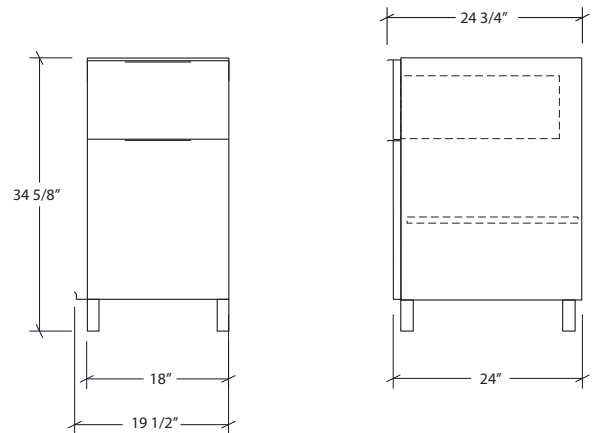
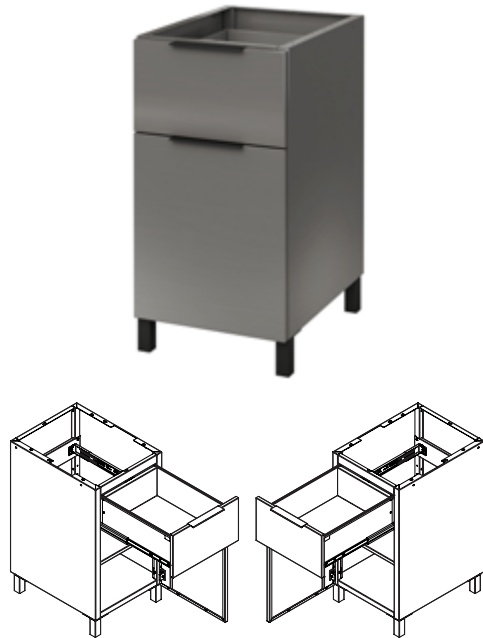


STAINLESS STEEL CABINETS

HR-ESSTDD18-N | ESSENCE

SELF-STANDING DRAWER AND DOOR STORAGE CABINET



Specifications

Collection	Nature
Width	18"
Depth	24"
Material	Stainless Steel 304
Thickness	18 ga
Finish	Brushed
Nbr doors / drawers	D / 1DWR
Hinges Position	Reversible
Installation	Self-Standing
Packaging dimension	22 x 36 x 27"
Packaging Weight	80 lb

Features

- Spacious single door and drawer storage cabinet ideal for keeping your dinnerware and utensils away from the elements.
- Modular system to optimize space and create a personalized outdoor kitchen area.
- Self-standing cabinet finished on all 4 sides providing flexible placement in island kitchen style or simply leaned against a wall.
- ESSENCE collection cabinets for a refined and unified look.
- Soft-close hardware for soft and quiet closing of drawers.
- Resistant commercial grade 18 gauge stainless steel construction with high-grade powder coated finish to withstand harsh environmental elements.
- Excellent resistance to humidity and UV.
- Environmentally friendly product made with 100% recyclable stainless steel.
- Modules are delivered fully assembled.
- Proudly designed and made by hand in Canada.

Warranty

Home Refinements offers a LIMITED LIFETIME WARRANTY on the fixed components of its stainless steel cabinets as well as a 2-YEARS LIMITED WARRANTY for all mobile parts and hardware (Hinges, slides, locks) against defects of material and workmanship all of which is applied following the purchase date. This warranty is limited to defects or damages resulting from a normal residential use. For further details on our product warranty, please refer to our catalog or Web site.