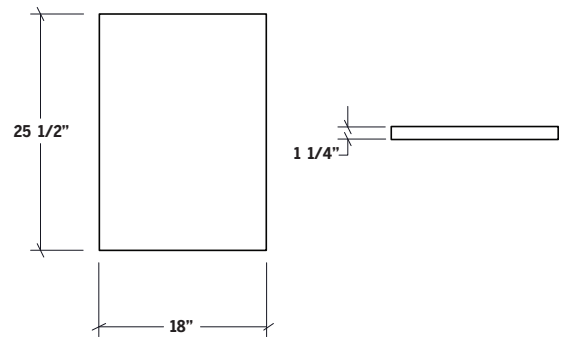


STAINLESS STEEL CABINETS

## HR-ESCTGL18 | ESSENCE

BLACK GRANIT COUNTERTOP



### Specifications

Collection	Nature
Width	18"
Depth	25 1/2"
Thickness	1 1/4"
Material	Cambrian Black Granit
Finish	Antique
Installation	Assembly to Base

### Features

- Convenient granit countertop perfect for outdoor area.
- Modular system to be installed with ESSENCE cabinet.
- Long-lasting and easy maintenance.
- Proudly designed and made in Canada.

### Warranty

Home Refinements offers a LIMITED LIFETIME WARRANTY on the fixed components of its stainless steel cabinets as well as a 2-YEARS LIMITED WARRANTY for all mobile parts and hardware (Hinges, slides, locks) against defects of material and workmanship all of which is applied following the purchase date. This warranty is limited to defects or damages resulting from a normal residential use. For further details on our product warranty, please refer to our catalog or Web site.