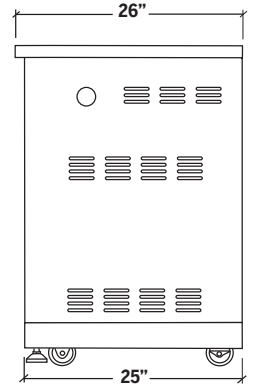
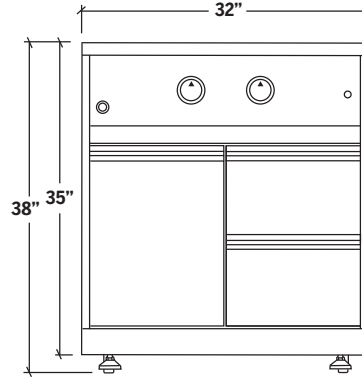


STAINLESS STEEL CABINETS

HR-ELDTBG32-P | ELEMENT

GAS DUAL TOP BURNER CABINET 32" 1 DOOR 2 DRAWERS, 20 000 BTU, PROPANE



Details

Collection	ELEMENT
Width	32"
Depth	26"
Material	Stainless Steel 304
Thickness	25 ga
Finish	Brushed
Net weight (lbs)	133
Number of door(s)	1
Number of drawer(s)	2
Installation	Self-Standing
Power source	Propane gas
Total Output (BTU)	20000
Number of burners	2
Burner type	Round burners
Ignition Type	Electrical
Grid type	Polished stainless steel rods
Voltage/Frequency	120V/60Hz

Specifications

- Illuminated LED knobs
- 2 Drawer and Door Storage Cabinet
- Gas tank sliding shelf
- 20000 BTU total output
- 10000 BTU round burners (X2)
- Polished stainless steel rod cooking surface
- Ready to use with liquid propane
- Modular arrangement with other ELEMENT collection cabinets
- Mobile base with 3" casters for easy movement (2 fixed, 2 locking swivel)
- Elegant brushed finish
- Superior corrosion resistance: grade 304 (18/10) stainless steel
- Assembly required
- Made in China

Warranty

Home Refinements offers a 2-YEARS LIMITED WARRANTY on propane gas regulators and gas burners for ELEMENT outdoor kitchens collection as well as a 1-YEAR LIMITED WARRANTY for all mobile parts and hardware (Hinges, slides, screws) against defects of material and workmanship all of which is applied following the purchase date. This warranty is limited to defects or damages resulting from a normal residential use. For further details on our product warranty, please refer to our catalog, user guide or web site.