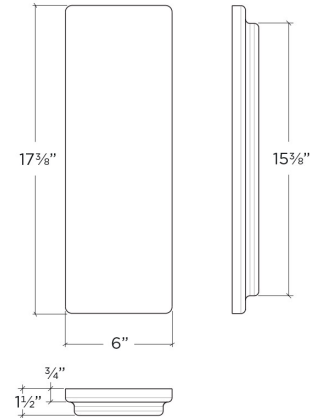


## 210061 | CUTTING BOARD

FIRECLAY SINK ACCESSORY



### Specifications

Model	210061
Collection	Cutting board
Compatible bowl dimension (front-to-back)	16"
Overall dimensions	6" × 17 3/8" × 1 1/2"

### Features

- Profiled to sit perfectly on Fira sink accessory ledge, or be used on countertop
- Designed to match with other walnut accessories
- Made of 1-1/2" thick solid walnut, edge grain construction
- Treated with penetrating beeswax to seal the wood moisture
- Safe for all food preparation

### Warranty

Home Refinements offers a 1-YEAR LIMITED WARRANTY following the purchase date for all mobile parts, options and accessories against defects of material and workmanship. This warranty is limited to defects or damages resulting from a normal residential use. For further details on our product warranty, please refer to our catalog or Web site.