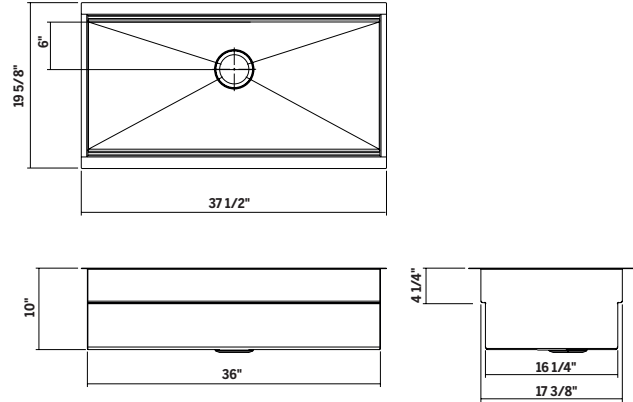


# 005461 | SMARTSTATION® SET REV10

UNDERMOUNT REVEAL STAINLESS STEEL KITCHEN SINK AND ACCESSORIES



## Specifications

Model	005461
Collection	SmartStation®
Bowl dimensions	36" x 17 3/8" x 10"
Overall dimensions	37 1/2" x 20 3/8" x 10"
Recommended cabinet	42"
Accessories handle material	Walnut

## Included accessories

Grid	200911
Cutting board	210065
Serving bin with bowls (4)	225214
Serving board with bowl and colander	225207
Drying rack	215206

## Recommended accessories

Drain	100082
Colander	205225
Service bowls And many more	225203

## Warranty

Home Refinements offers a LIMITED LIFETIME WARRANTY on the fixed components of its stainless steel sinks against defects of material and workmanship as well as a 1-YEAR LIMITED WARRANTY following the purchase date for all accessories against defects of material and workmanship. This warranty is limited to defects or damages resulting from a normal residential use. For further details on our product warranty, please refer to our catalog or Web site.

## Features

- Handcrafted in Canada
- Commercial quality stainless steel 16 ga thickness
- Corrosion resistant material 304 series (18/10)
- Unique design allowing the Home Refinements standard accessories to slide one over the other on two levels
- Bottom ledge : 1/2" accessory ledge on front and back of the bowl to accommodate any accessory compatible with 16" bowl.
- Top Ledge : Home Refinements accessory compatible with 17" bowl to be used directly on the top ledge (undermount with 3/8" reveal countertop installation necessary)
- Many accessories included to be used on accessory ledge or on the top edge (two (2) wood essences available: maple and american walnut)
- Bottom grid included to protect the surface of the sink
- Attractive combination of UrbanEdge® and J7® collections : vertical square corners [0mm] and slightly rounded corners [7mm] for bottom front and back folds
- Environmentally friendly product, 100% recyclable
- Elegant no. 4 brushed finish that matches the appliances
- Highly efficient sound deadening pads
- Practical flat sink bottom and straight bowl sides that maximize available space in the bowl
- Stylish and functional bowl bottom grooves that facilitate water drainage
- Rear or side 3-1/2" drain placement
- Mounting hardware included
- Certifications: ASME A112.19.3, CSA B45.0, CSA B45.4