

HOME  
REFINEMENTS

**JULIEN**



OUTDOOR KITCHEN

*ELEMENT*

CATALOG

# DISCOVER *HOME* *REFINEMENTS*

*IT'S TIME TO TAKE IT OUTSIDE*

Home Refinements by Julien is first and foremost an expertise in the design and creation of professional kitchens for the residential market. The final result? A combination of style and functionality and the hallmark of a professional brand.

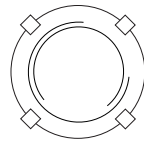
Behind every great Home Refinements item there is Groupe Julien. Located in Quebec City, Julien has carried out large-scale commercial kitchen projects since 1946 and is known for its optimal solutions, operational excellence, and dedicated customer service. The team makes it a point to handle every communication with expertise and rigour to ensure that as a client, your experience is up to the highest quality standards. For Julien, perfection is not a challenge but a state of mind.

|                           |    |
|---------------------------|----|
| DISCOVER HOME REFINEMENTS | 3  |
| ELEMENT COLLECTION        | 4  |
| GAS COOKING               | 6  |
| STORAGE AND SPECIALITY    | 8  |
| MODULAR SYSTEM            | 10 |
| WARRANTY                  | 14 |
| INDEX                     | 15 |



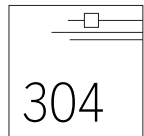
# FEEL WELL AT HOME

## *ELEMENT*



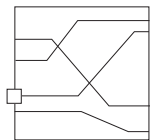
### A COMPLETE AND INTEGRATED OFFER

**ELEMENT** collection comprises all your outdoor kitchen essentials, including two complete cooking modules with integrated grills and burners. Very functional and affordable, this collection is the best if you want to know your way around the outdoor cooking experience, explore your culinary skills or just chat with your guests while preparing the best meal.



### A STAINLESS STEEL CONSTRUCTION

Every cabinet and module is fabricated with stainless steel, a durable and corrosion-resistant material. This makes it a top choice material for outdoor equipment prone to humid climates and warm temperatures.



### A MOBILE AND SCALEABLE INSTALLATION

The **ELEMENT** modules can easily be moved around thanks to their casters. They are very light and a great asset to any existing installation surface—and you don't even need to provide a reinforced structure to support your brand new outdoor kitchen.

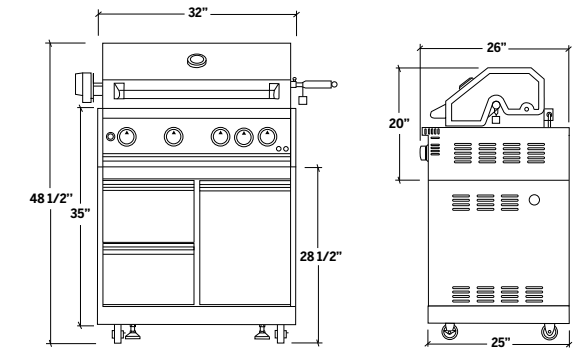


# GAS COOKING

Because the focal point of any outdoor kitchen is undeniably the cooking area, ELEMENT offers many exciting features for its gas grill and base and dual gas burner module. Enjoy LED light buttons, a gas tank sliding shelf, storage space, and more.

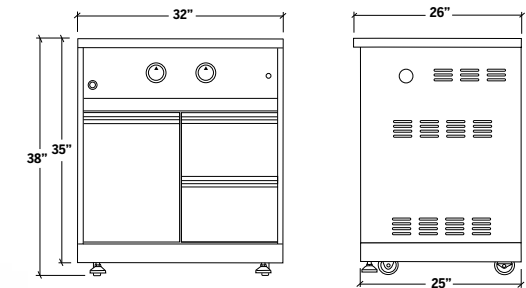


## GAS GRILL BASE CABINET



| PRODUCT                        | HR-ELKGG32-P                |
|--------------------------------|-----------------------------|
| Power source                   | Propane gas                 |
| Total Output (BTU)             | 59000                       |
| Number of burners              | 3 tubes burners, 1 infrared |
| Overall dimensions (W x H x D) | 32" x 48 1/2" x 26"         |
| *Rotisserie included           |                             |

## GAS DUAL BURNER CABINET



| PRODUCT                        | HR-ELDTBG32-P   |
|--------------------------------|-----------------|
| Power source                   | Propane gas     |
| Total Output (BTU)             | 20000           |
| Number of burners              | 2               |
| Overall dimensions (W x H x D) | 32" x 38" x 26" |

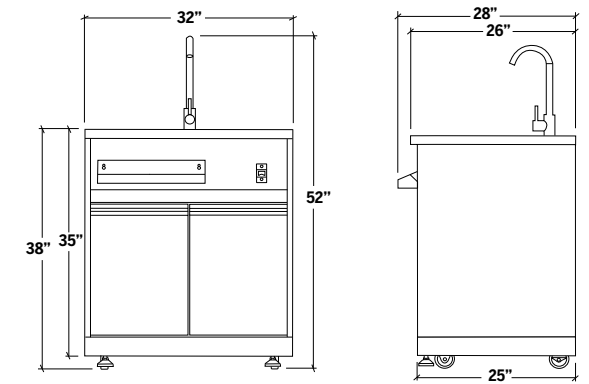
# STORAGE AND SPECIALITY

In addition to offering good storage space, this collection sink cabinet is distinguished by its removable shelf for storing cleaning products, bottles or spices.

We also like the appliance module versatility—use it to integrate a 24" appliance or transform it into a comfortable work area for preparing or serving food.



## SINK CABINET

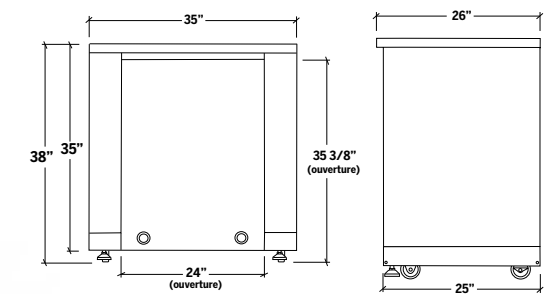


**PRODUCT**      **HR-ELSB32**

Overall dimensions (W x H x D)      32" x 38" x 26"

\*Faucet, drain and piping included

## APPLIANCE MODULE



**PRODUCT**      **HR-ELAP35**

Compatibility      Appliance 24"

Overall dimensions (W x H x D)      35" x 38" x 26"

\*Appliance not included

# A MODULAR SYSTEM

The **ELEMENT** collection offers you a selection of essential cabinets and modules to create an outdoor kitchen that will meet your needs, painlessly. The modular, mobile, and turnkey system allows you to quickly test and implement any layout so that you find the best one for you.

Here are seven (7) layout proposals to help you visualize the different cabinets and modules and find the ideal combination for your outdoor living space.



## INSPIRATIONS

### CABINETS AND MODULES LIST

- |   |               |                            |
|---|---------------|----------------------------|
| 1 | HR-ELKGG32-P  | Gas grill and base cabinet |
| 2 | HR-ELDTBG32-P | Gas dual burner cabinet    |
| 3 | HR-ELSB32     | Sink cabinet               |
| 4 | HR-ELAP35     | Appliance module           |

ELE-I4A-P



ELE-I3A-P



ELE-I3B-P



ELE-I2C-P



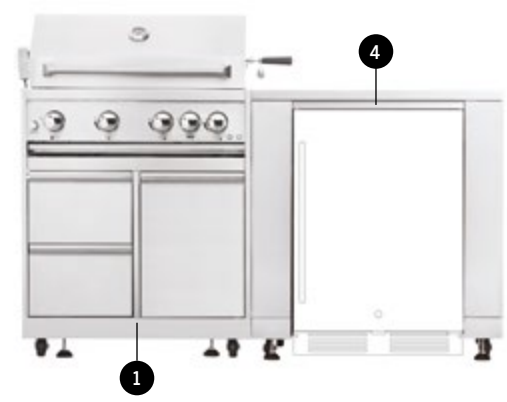
ELE-I3C-P



ELE-I2B-P



ELE-I2A-P



**CABINETS AND MODULES LIST**

- 1 HR-ELKGB32-P Gas grill and base cabinet
- 2 HR-ELDTBG32-P Gas dual burner cabinet
- 3 HR-ELSB32 Sink cabinet
- 4 HR-ELAP35 Appliance module

# WARRANTY

## Generality

At its sole discretion, Home Refinements may repair, replace, or make appropriate adjustments to the Product or any components proven to be defective in order to restore them to good working condition.

In no case, even if the Product or its components are found to be defective, shall the liability of Home Refinements exceed the price paid for the Product. Home Refinements reserves the right to inspect the installation prior to replacing or repairing the Product or its components. At its discretion, Home Refinements may require photographs prior to analyzing the claim. This limited warranty is null and void if the Product or its components have been repaired, altered, or modified other than by Home Refinements or under its supervision.

This limited warranty replaces any and all other warranties, express or implied, including implied warranties of merchantability or fitness for a particular purpose. Laws governing product warranties may vary from one state or province to another. This warranty is not intended to contravene the public order and shall not be so interpreted. This limited warranty extends only to the original owner/end user for residential applications and is not transferable to any subsequent purchaser. In the event of a warranty claim, original proof of purchase (sales receipt) will be required. Shipping and handling costs (for returning the Product or its components for repair or replacing the Product or its components) are not covered under this limited warranty. Also excluded from this limited warranty are any labour, workmanship, or other costs incurred in connection with the removal, repair, replacement, adjustment, or installation of the Product or its components and any incidental or consequential damage.

ATTENTION > This warranty will be null and void for any damage resulting from an installation that does not respect these instructions, and Home Refinements will not be held liable for any costs incurred. In the event of a limited warranty claim, original proof of purchase will be required – please save your original sales receipt.

## ELEMENT Collection Outdoor Kitchen

Home Refinements offers a TWO (2)-YEAR warranty against any manufacturing or materials defect on propane gas regulators and gas burners for **ELEMENT** outdoor kitchens collection, provided that the Client or end user makes a normal, residential, and reasonable use of the products.

Home Refinements offers a TWO (2)-YEAR warranty against any manufacturing or materials defect on all hardware products (slides, hinges, etc.) burners for **ELEMENT** outdoor kitchens collection, provided that the Client or end user makes a normal, residential, and reasonable use of the products.

EXCLUSIONS : This warranty explicitly excludes the following elements:

- Chemical or natural surface corrosion (especially due to saltwater)\*;
- Scuffs or scratches;
- Damage caused by misuse, abnormal or abusive use, or negligence;
- Damage caused during transport;
- Damage caused by environmental factors;
- Commercial use of the products;
- Defects or damage caused by improper installation;
- Dents or deformations caused by the impact of any object;
- Normal wear and tear;
- Installation, maintenance, or care-related problems.

If you believe that you have a warranty claim or for more information about the warranty on our products, please contact our customer service department.

### Customer Service

1-866-901-5624  
customerservice@homerefinements.ca

# INDEX

| PRODUCT              | DESCRIPTION  | PKG WEIGHT (lbs) | PKG. DIMENSION (In) |    |        |
|----------------------|--|------------------|---------------------|----|--------|
|                      |  |                  | D                   | W  | H      |
| <b>HR-ELKGB32-P</b>  | Gas grill and base 32" 1 Door 2 Drawer, 59 000 BTU, Propane    | 182              | 35 1/2              | 27 | 31     |
| <b>HR-ELDTBG32-P</b> | Gas Dual Burner Cabinet 32" Door 2 Drawer, 20 000 BTU, Propane | 103              | 35 1/4              | 44 | 29     |
| <b>HR-ELSB32</b>     | Sink Cabinet 32" 2 Doors                                       | 89               | 35                  | 18 | 28 1/2 |
| <b>HR-ELAP35</b>     | Appliance Module 35" (for 24" appliance)                       | 63               | 38                  | 17 | 28 1/2 |



*IT'S TIME TO TAKE IT OUTSIDE*

HOME  
REFINEMENTS

**JULIEN**

1 866 901-5624  
customerservice@homerefinements.ca

955, rue Lachance, Québec (Québec)  
Canada G1P 2H3

**homerefinements.ca**

Product : HROK-ELEMENT-CATALOG-EN  
A-2022-03  
996313703