

HOME  
REFINEMENTS

**JULIEN**



OUTDOOR LIVING

*COOLING*

CATALOG

# DISCOVER *HOME* *REFINEMENTS*

*IT'S TIME TO TAKE IT OUTSIDE*

Home Refinements by Julien is first and foremost an expertise in the design and creation of professional kitchens for the residential market. The final result? A combination of style and functionality and the hallmark of a professional brand.

Behind every great Home Refinements item there is Groupe Julien. Located in Quebec City, Julien has carried out large-scale commercial kitchen projects since 1946 and is known for its optimal solutions, operational excellence, and dedicated customer service. The team makes it a point to handle every communication with expertise and rigour to ensure that as a client, your experience is up to the highest quality standards. For Julien, perfection is not a challenge but a state of mind.

DISCOVER HOME REFINEMENTS	3
SOMETHING FRESH	4
FOCUSED ON DETAILS	6
REFRIGERATORS	8
WARRANTY	10
INDEX	11



# SOMETHING *FRESH*

Whether you prefer to enjoy a romantic sunset with a glass of wine or receive a group of friends for an impromptu feast, you will be delighted to be able to count on an outdoor refrigerator nearby.

These refrigerators / cellars can be integrated into any Home Refinements outdoor kitchen collection: **DISTINCTION, ESSENCE** and **ELEMENT**.



# FOCUSED ON *DETAILS*



Built for outdoor use  
Built-in and free standing installation  
Large storage capacity  
Automatic defrost

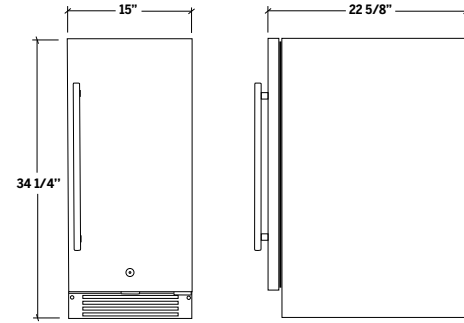


Key lock



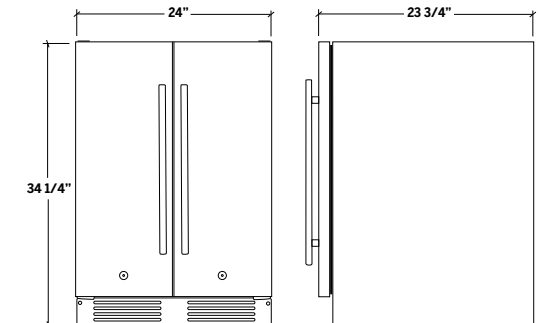
Digital thermostat  
Interior Blue LED lighting

## OUTDOOR REFRIGERATOR FOR UNDERCOUNTER INSTALLATION, 15"



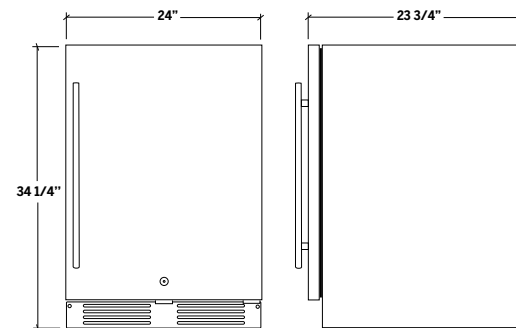
<b>PRODUCT</b>	<b>HR-RUO-15-1</b>
Capacity (L)	90 L
Temperature range	34-50°F/1-10°C
Overall dimensions (W x H x D)	15" x 34 1/4" x 22 5/8"

## OUTDOOR REFRIGERATOR/CELLAR FOR UNDERCOUNTER INSTALLATION, DUAL ZONE, 24"



<b>PRODUCT</b>	<b>HR-RUO-24-2</b>
Capacity (L)	148 L
Temperature range - zone 1	41-65°F/5-18°C
Temperature range - zone 2	34-50°F/1-10°C
Overall dimensions (W x H x D)	24" x 34 1/4" x 23 3/4"

## OUTDOOR REFRIGERATOR FOR UNDERCOUNTER INSTALLATION, 24"



<b>PRODUCT</b>	<b>HR-RUO-24-1</b>
Capacity (L)	162 L
Temperature range	34-50°F/1-10°C
Overall dimensions (W x H x D)	24" x 34 1/4" x 23 3/4"

# WARRANTY

## Generality

At its sole discretion, Home Refinements may repair, replace, or make appropriate adjustments to the Product or any components proven to be defective in order to restore them to good working condition.

In no case, even if the Product or its components are found to be defective, shall the liability of Home Refinements exceed the price paid for the Product. Home Refinements reserves the right to inspect the installation prior to replacing or repairing the Product or its components. At its discretion, Home Refinements may require photographs prior to analyzing the claim. This limited warranty is null and void if the Product or its components have been repaired, altered, or modified other than by Home Refinements or under its supervision.

This limited warranty replaces any and all other warranties, express or implied, including implied warranties of merchantability or fitness for a particular purpose. Laws governing product warranties may vary from one state or province to another. This warranty is not intended to contravene the public order and shall not be so interpreted. This limited warranty extends only to the original owner/end user for residential applications and is not transferable to any subsequent purchaser. In the event of a warranty claim, original proof of purchase (sales receipt) will be required. Shipping and handling costs (for returning the Product or its components for repair or replacing the Product or its components) are not covered under this limited warranty. Also excluded from this limited warranty are any labour, workmanship, or other costs incurred in connection with the removal, repair, replacement, adjustment, or installation of the Product or its components and any incidental or consequential damage.

ATTENTION > This warranty will be null and void for any damage resulting from an installation that does not respect these instructions, and Home Refinements will not be held liable for any costs incurred. In the event of a limited warranty claim, original proof of purchase will be required – please save your original sales receipt.

## Refrigerators/Cellars

Home Refinements offers a 42 MONTHS (3.5 YEAR) warranty against any manufacturing or materials defect as well as on the cooling system (compressor and evaporator) for Home Refinements refrigeration products. This warranty is not transferable and is limited to defects or damages resulting from a normal residential use.

EXCLUSIONS : This warranty explicitly excludes the following elements:

- Chemical or natural surface corrosion (especially due to saltwater)\*;
- Scuffs or scratches;
- Damage caused by misuse, abnormal or abusive use, or negligence;
- Damage caused during transport;
- Damage caused by environmental factors;
- Commercial use of the products;
- Defects or damage caused by improper installation;
- Dents or deformations caused by the impact of any object;
- Normal wear and tear;
- Installation, maintenance, or care-related problems.

If you believe that you have a warranty claim or for more information about the warranty on our products, please contact our customer service department.

### Customer Service

1-866-901-5624  
customerservice@homerefinements.ca

# INDEX

MODEL	DESCRIPTION	PKG WEIGHT (lbs)	PKG. DIMENSION (In)		
			D	W	H
<b>HR-RUO-15-1</b>	Outdoor Refrigerator for Undercounter Installation, 15"	65	16 3/4	36 1/2	24 1/2
<b>HR-RUO-24-1</b>	Outdoor Refrigerator for Undercounter Installation, 24"	125	26	36 3/4	26 1/4
<b>HR-RUO-24-2</b>	Outdoor Refrigerator/Cellar for Undercounter Installation, Dual Zone, 24"	100	26	36 3/4	26 1/4

*IT'S TIME TO TAKE IT OUTSIDE*

HOME  
REFINEMENTS

**JULIEN**

1 866 901-5624  
customerservice@homerefinements.ca

955, rue Lachance, Québec (Québec)  
Canada G1P 2H3

[homerefinements.ca](https://www.homerefinements.ca)

Product : HR-REFRIGERATION-CATALOG-EN  
A-2022-05  
996313719